

COMPUTING CRAFT

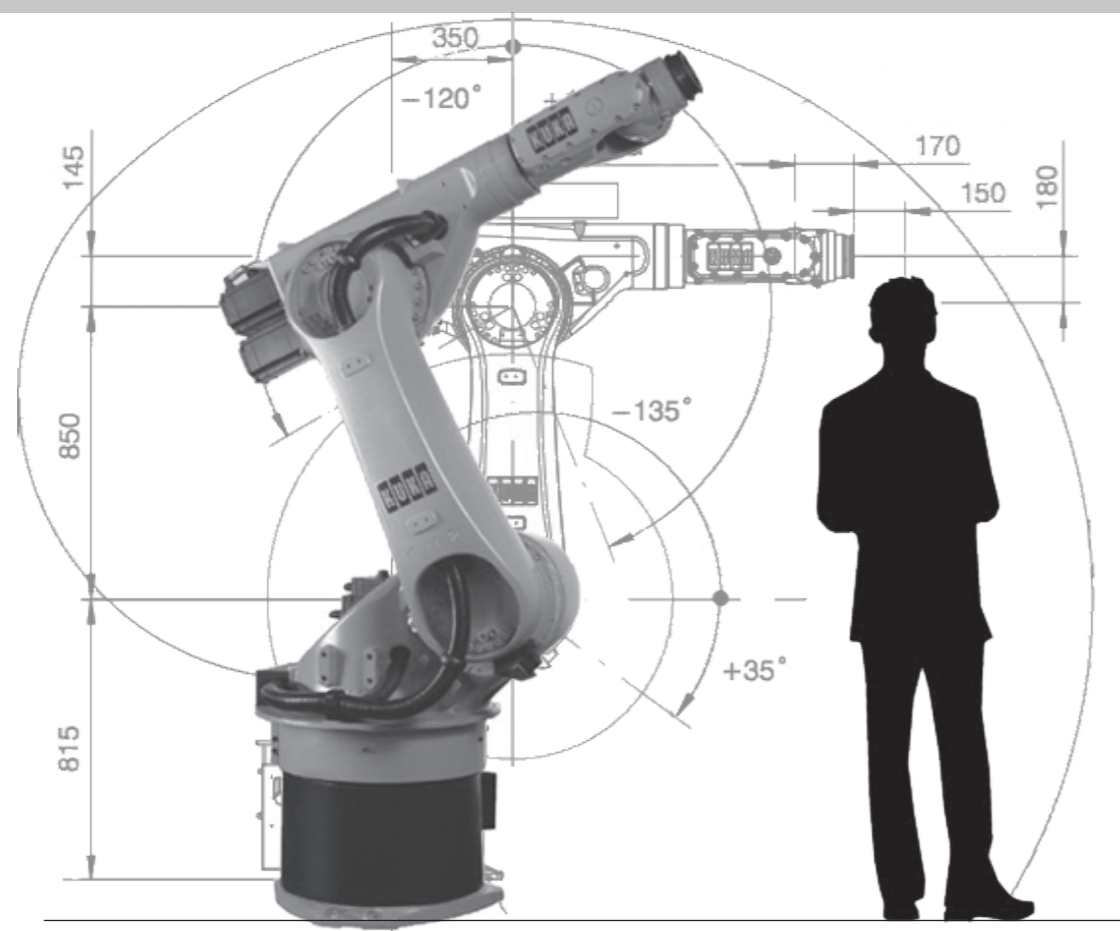
Project Time frame
Start: 1 January 2018
End: 30 June 2019



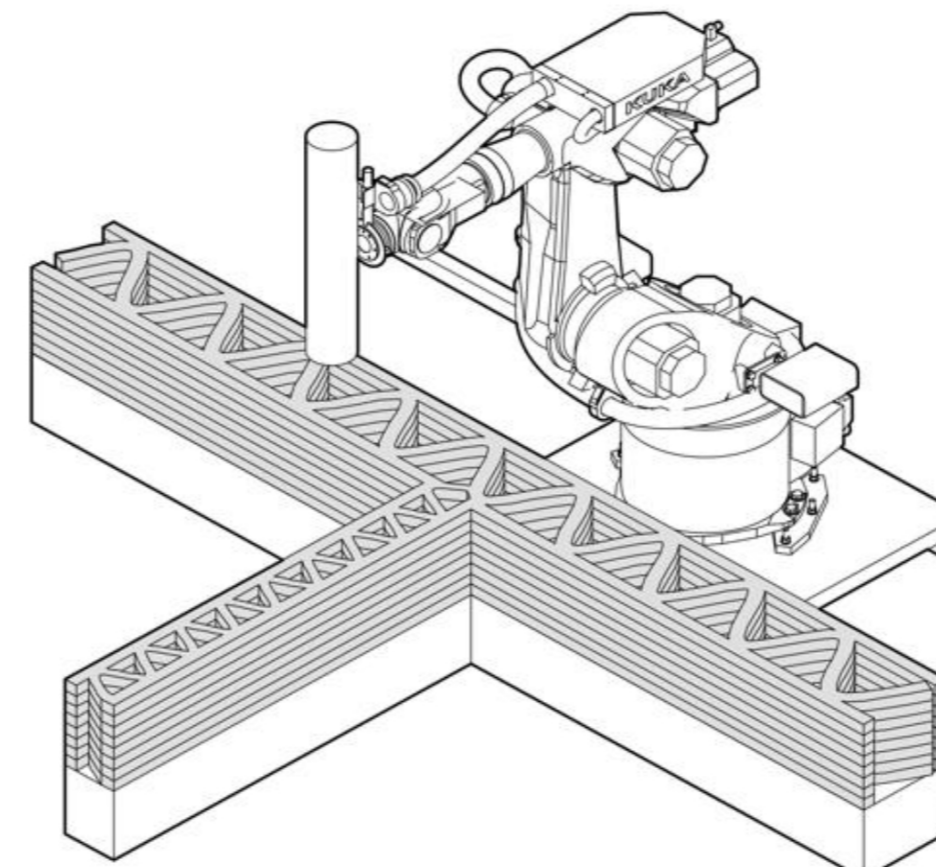
manufacturing cob structures using robotically controlled 3d printing



Cob mixing



Cob Scaled 3D printing



Cob 1.1 wall prototype 3D printing



Subsoil (with clay)

40% Subsoil



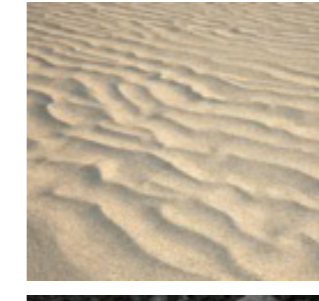
Straw

1% Straw



Water

20% Water



Sand

8% Ball Clay + 7% China Clay + 26% Sand



Lime (occasionally)

Cob suitable for Robotic 3D printing

Mixing proportion developed by the design team using a 'monitored' trial and error methodology.

This project characterizes fabrication procedures for robotically supported 3D printing using cob. The investigation is being conducted in four stages:

1. Describe the current knowledge base of craft-based cob-construction and the potential routes to digitalization.
2. Conduct initial feasibility tests through small-scale modeling with a robotic arm and clay extrusion systems.
3. Identify key challenges for a real-scale feasibility study (the building of a wall).
4. Conduct a full-scale feasibility test for the robotic manufacturing of a cob building element (building a wall) and test building systems (for example, foundation and window requirements) and material properties (for example, building performance associated with various material mix ratios and design opportunities).

Industrial Partners: Building Design Partnership Ltd., IMAKR Ltd. and Kevin McCabe Ltd.

Main Cob ingredients



Robotic 2.5D printing



Robotic 3D printing with a mold



Robotic 3D printing

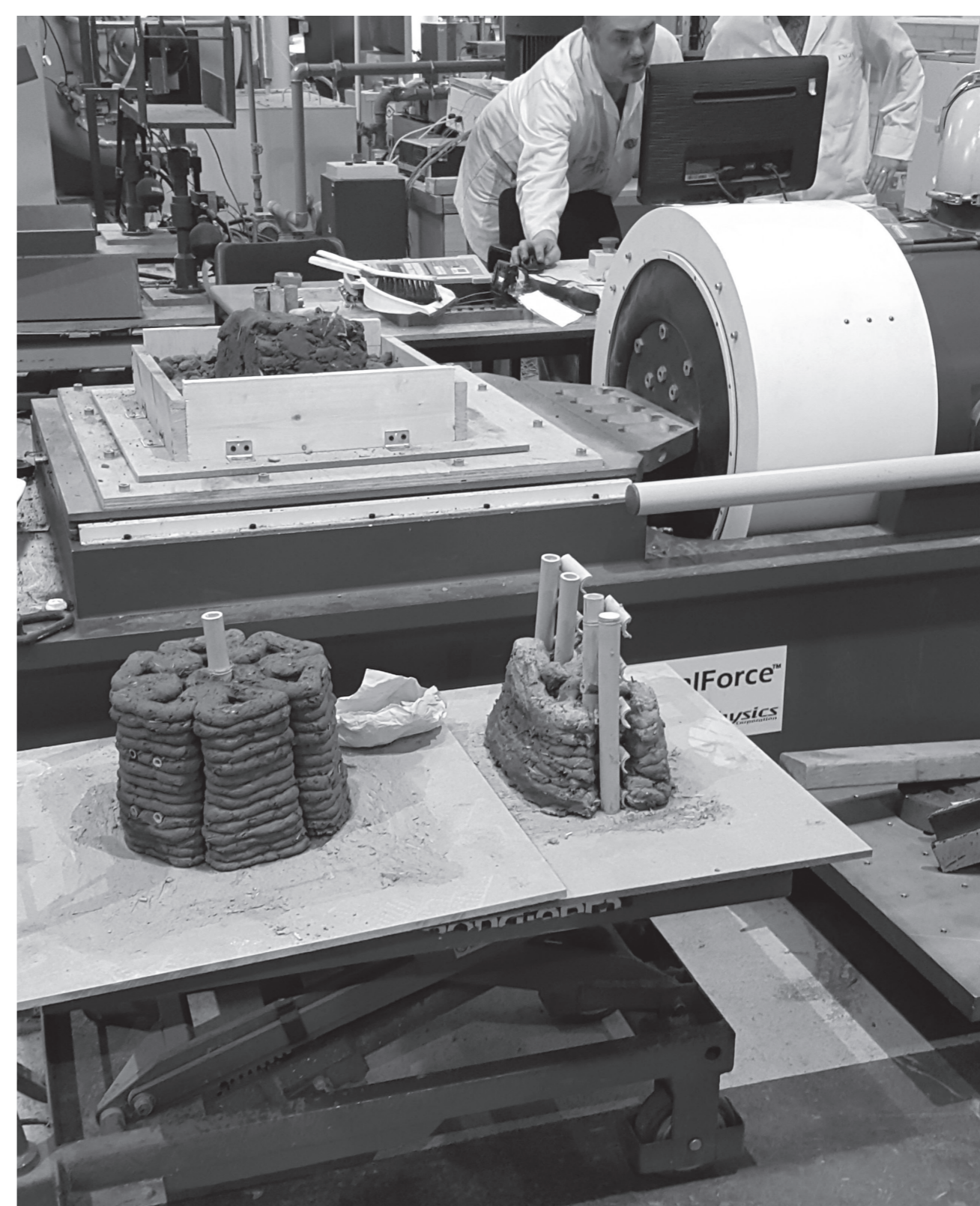
The project is the first to adopt a cross-disciplinary approach to translating the craft-based process of cob construction into a digital and automated process. The knowledge acquired through this project will be applicable to the 3D printing of other non-uniform clay-based materials. This will be of relevance to constructive processes used in developing countries and remote locations and will, therefore, optimize building methods under challenging conditions such as post-disaster recovery.






Craft-based traditions of building with cob have developed throughout the world, with a strong cob-construction tradition in south-west England and France. Specific traditions of cob-construction have arisen both in response to particular geological and climatic conditions, which generate differing mix-ratios and, therefore, material properties, and local workforce conditions. It has proven ability to produce a high quality result which satisfies building regulations.

Exhibition at Cardiff University



Cob mechanical testing



-  Dr. Wassim Jabi
-  Dr. Alejandro Veliz Reyes
-  Dr. Aikaterini Chatzivasileiadi
-  Dr. Nicholas Mario Wardhana
-  Mohamed Gomaa

Acknowledgments;
Anas Lila
Lina Ahmad